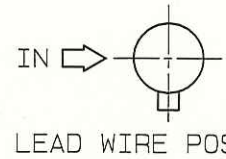
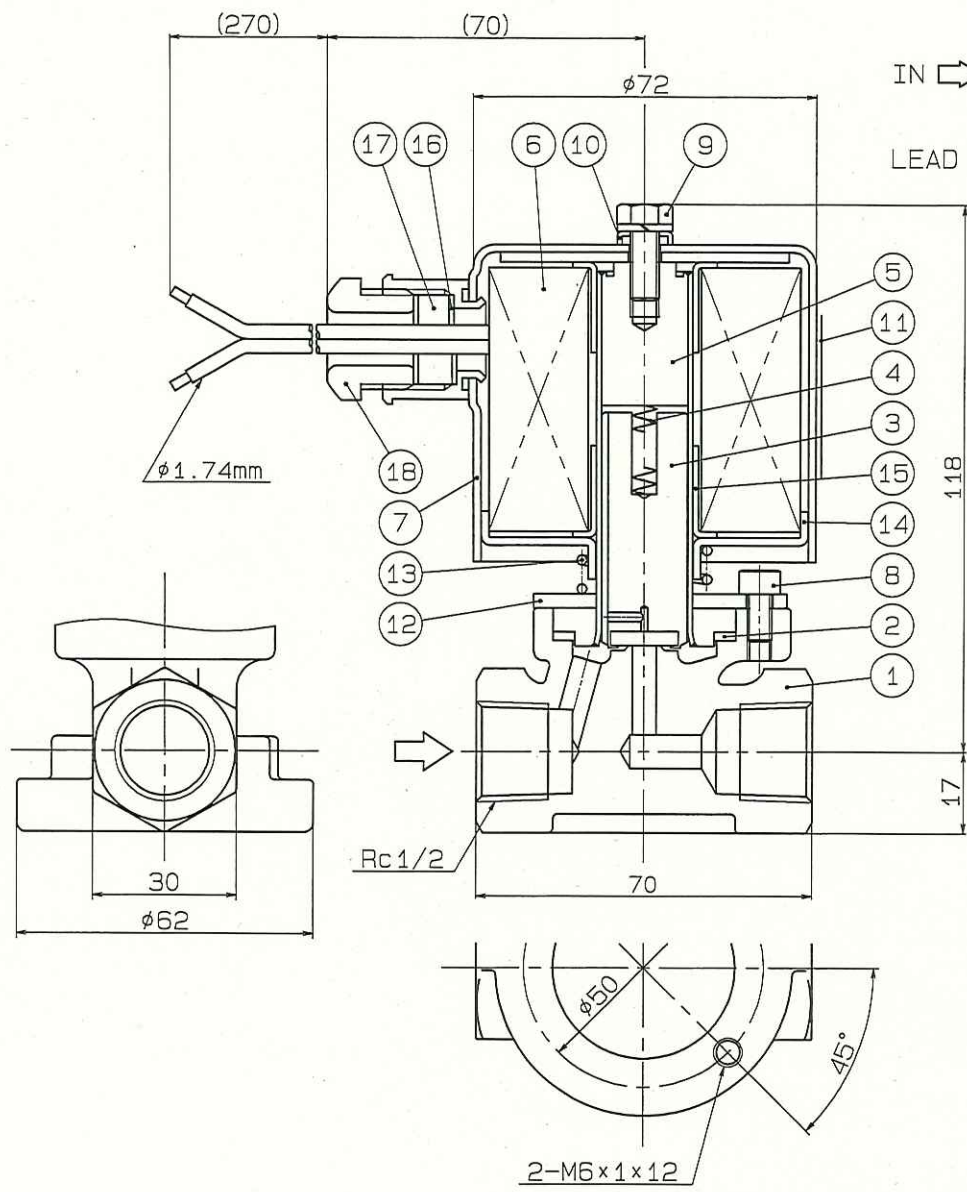


仕様確認書



NO.	NAME OF PART	MATERIAL	Q'TY	REMARKS
1	VALVE BODY	CAST STAINLESS SCS13	1	
2	PACKLESS PACKING	SYNTHETIC RESIN TEFLON	1	
3	PLUNGER Ass'y	STAINLESS STEEL SUS403	1	SEAT: TEFLON
4	PLUNGER SPRING	STAINLESS STEEL SUS304	1	
5	PACKLESS Ass'y	STAINLESS STEEL SUS304, 403	1	
6	COIL Ass'y	COPPER WIRE EIW	1	CLASS H, NOTE*
7	BONNET Ass'y	CARBON STEEL SPC	1	PAINTED
8	SOCKET SCREW	STAINLESS STEEL SUS304	4	
9	BONNET SCREW	STAINLESS STEEL SUS304	1	
10	BONNET CAP	STAINLESS STEEL SUS304 SYNTHETIC RUBBER NBR	1	
11	NAME PLATE	POLYESTER	1	
12	SET PLATE	CARBON STEEL SPC	1	Zn PLATING
13	SPACER SPRING	PIANO WIRES SWP	1	Zn PLATING
14	SPACER	CARBON STEEL SPC	1	Zn PLATING
15	ADAPTER	CARBON STEEL SPC	2	Zn PLATING
16	WASHER	CARBON STEEL SPC	2	Zn PLATING
17	GROMMET	SYNTHETIC RUBBER SILICONE	1	
18	CONNECTER	SYNTEC RESIN PM-GE	1	

SPECIFICATION AND TESTING ITEMS

NATURE OF FLUID	FLUORINERT	POWER SOURCE	DC24V
TEMPERATURE	MIN. -80 ℃ MAX. 70 ℃	POWER CONSUMPTION	15W
Cv VALUE	0.53	INSULATION RESISTANCE	MIN. 100MΩ AT DC 500V
PRESSURE OF FLUID	MIN. 0 MPa MAX. 0.7 MPa	DIELECTRIC STRENGTH	AC1500V, 1 MINUTE
BODY BURST PRESSURE TEST	1.5 MPa	RATING	CONTINUOUS RATING
ORIFICE	φ5	OPERATION	NORMALLY CLOSED

NOTE  
 RoHS COMPLIANT (2002/95/EC)  
 \* INSULATING MATERIAL: UL STANDARD

APPROVED BY <i>S. Ohkawa</i>	CHECKED BY -	DRAWN BY Y. Kameyama	TYPE VSSPD2-2050-15TKM
DATE Nov. 11, 2016	SCALE X	REMARKS V-62136b 74X-254 (68X-027)	CLASSIFICATION
NOMENCLATURE			DRAWING NO.

SOLENOID VALVE V-69347E

**KEIHIN VALVE CORP.**

